

**(12) PATENT**  
**(19) AUSTRALIAN PATENT OFFICE**

**(11) Application No. AU 199943453 B1**  
**(10) Patent No. 714299**

(54) Title  
Prize awarding system

(51)<sup>6</sup> International Patent Classification(s)  
A63F 009/22

(21) Application No: 199943453

(22) Application Date: 1999 .08 .09

(43) Publication Date : 1999 .12 .23

(43) Publication Journal Date : 1999 .12 .23

(44) Accepted Journal Date : 1999 .12 .23

(71) Applicant(s)  
Neurizon Pty Ltd

(72) Inventor(s)  
Steven Brian Johnson

(74) Agent/Attorney  
CULLEN and CO,GPO Box 1074,BRISBANE QLD 4001

(56) Related Art  
WO 99/03078  
WO 97/12338  
WO 96/24421

ABSTRACT

Periodic prize draws are conducted by a jackpot controller (13) in a gaming system having one or more electronic gaming devices (10). The probability of each electronic gaming device winning a particular prize draw is dependent upon the amount wagered on that gaming machine during a period preceding that prize draw. The prize may be a progressive jackpot which comprises an initial starting value and a contribution from the amounts wagered on the electronic gaming devices. If an electronic gaming device wins a prize draw, its player may be granted a feature game to determine the actual prize. Jackpots are suspended pending the completion of the feature game. The probability that a gaming device will win the prize draw, or the relative win probabilities of the gaming devices, may be displayed graphically.



**AUSTRALIA**  
*Patents Act 1990*

COMPLETE SPECIFICATION  
FOR A STANDARD PATENT

Name of Applicant: NEURIZON PTY LTD

Actual Inventor: STEVEN BRIAN JOHNSON

Address for Service: CULLEN & CO.,  
Patent & Trade Mark Attorneys,  
240 Queen Street,  
Brisbane, Qld. 4000,  
Australia.

Invention Title: PRIZE AWARDING SYSTEM

The following statement is a full description of this invention, including the best method of performing it known to us

## PRIZE AWARDING SYSTEM

This invention relates to a prize awarding system. In particular, the invention is directed to method and apparatus for awarding a prize to players of gaming machines, wherein the probability that the player of a gaming machine will win the prize is dependent upon the amount bet on that gaming machine during an elapsed period.

## BACKGROUND ART

10 An electronic gaming device (EGD), such as a poker machine, provides its player with the opportunity to win cash or other prizes. To entice more persons to play EGDs and/or to render them more exciting, it is known to link EGDs electronically in a network, with each  
15 EGD contributing a proportion of its turnover to a pooled jackpot. The EGDs in a network may be located on one site, or spread over several remote sites. Since a larger number of EGDs contribute to the jackpot, the jackpot can have a higher value and/or be won more often  
20 than single machine jackpots.

In a typical progressive linked jackpot system, one or more EGDs contribute a percentage of turnover to a pool (either on a local or external network). Each time an EGD is played, it tests for a particular winning  
25 combination. If that combination is achieved, the EGD is awarded the pool. A key aspect of this arrangement is that each game played has the same probability of a jackpot win.

This arrangement has traditionally been used by  
30 casinos but its popularity is diminishing due to the introduction of EGDs featuring multiple line and multiple credits per line wagering options. If a player elects to play multiple credits per line, the win probability would no longer be proportional to the wager. That is, the win  
35 probability would be the same regardless of the number of credits wagered on the line. This is considered a major disincentive to wagering multiple credits per line. This arrangement also requires the EGD to provide special

software which tests for the winning combination. Further, it is difficult to link EGDs of differing base denominations to the same progressive jackpot pool.

Another type of jackpot system is described in Australian patent no. 655801. In this type of jackpot system, one or more EGDs are typically connected to an external Random Jackpot Controller (RJC) via a data network. As each game is played, the RJC adds a proportion of each wager to the external pool. The RJC initially seeds the pool with a starting value. The RJC then selects a random number between the starting value and a predetermined maximum value. As each EGD is played, each EGD informs the RJC of the credits bet and a proportion of the wager is added to the pool. The value of the pool is then compared with the selected random number. If there is a match, the RJC awards the current pool value to that EGD. This arrangement is usually configured to provide relatively small but frequent awards, and has the inherent characteristic that the probability of a win on each EGD increases as the pool increases toward the maximum limit.

However, since the win probability increases as the pool increases towards its predetermined maximum limit, a player playing just after the pool is reset has a lower jackpot win probability than a player playing at a later time when the pool is greater, even though both players may be wagering the same amount. For this reason, this arrangement is generally considered unfair and deterministic. The deterministic nature of this jackpot system has led some gaming authorities to prohibit the inclusion of the pool contributions into the "Return to Player Percentage" (RTP) for taxation calculation purposes, which diminishes the financial appeal of this jackpot system to gaming machine operators.

Yet another type of jackpot system is described in international patent application no. PCT/AU98/00525. In that jackpot arrangement, one or more EGDs are

typically connected to an External Feature Game Controller (EFGC) via a communications network. Each EGD informs the EFGC of credits bet and a proportion of the credits bet is added to the external jackpot pool. This  
5 pool is typically seeded with a starting value.

As each game is played (and only when a game is played), the EGD tests for the occurrence of a random "win" event whose probability is a function of the credits bet on that particular game. If the EGD detects  
10 the random event, the EFGC is informed. The EGD then typically enters a feature game where the winning amount is determined. The EFGC is informed of the win and in some cases will transmit the value of the win to the EGD's credit meter. In other cases, the EGD will be  
15 locked up until the jackpot is paid manually by an attendant. The greater the wager per game the greater is the probability of a win on that game.

A disadvantage of this arrangement is that it is not easily applied to an existing EGD installation.  
20 Each EGD must be fitted with special software with a means of determining and detecting the random event per game. Alternatively, a communications-based Central Feature Game Controller (CFGC) may theoretically be employed which has a means of determining and testing for  
25 the random event per game on behalf of each EGD, based on the credits bet on each game.

Many jurisdictions have mandated the use of specialised communications networks designed to collect EGD data and to provide a means of external control over  
30 the EGDs. Some operators of these networks have implemented their own jackpot awarding systems utilising these networks. These networks however, cannot guarantee that each EGD's data will be collected in synchronisation with each EGD's game cycle. Further, many of these  
35 communications networks do not even support the collection of "credits bet" data from EGDs. In some cases there may be over 6 games played between data

collections. If a CFGC utilised these networks for the collection of the credits bet information for the purpose of centrally determining the random event based on credits bet on each game, there would be a real  
5 likelihood that many played games would be missed due to the data collection latency of the communications systems. This would result in those games still contributing to the jackpot pool but with no chance of winning the prize. This makes it impractical to use  
10 credits bet per game as a basis for the determination of the random event on a game-by-game basis in a CFGC acting on behalf of each EGD.

A further problem with this jackpot arrangement is that once an EGD enters its feature game for the purpose of determining the actual prize, one of the  
15 available pools is always going to be awarded regardless of the feature game outcome. There is no technical barrier to a smart player deferring the playing of the feature game to allow the jackpot pool to increase in value. The longer the player waits, the greater the  
20 potential pool increase and the greater the prize. In an extreme example, the player could wait until the feature game is triggered on another contributing EGD, then immediately play the feature game and effectively steal  
25 the other player's prize.

It is an object of this invention to provide an improved prize awarding system for a network of EGDs, which overcomes or ameliorates the above described disadvantages or which at least provides a useful  
30 alternative.

#### SUMMARY OF THE INVENTION

In one broad form, the invention provides a method of awarding a prize in a gaming system comprising at least one gaming machine, characterised in that the  
35 probability of each gaming machine winning the prize is dependent upon at least some of the amount wagered on that gaming machine during an elapsed period.

In the preferred embodiment, prize draws are

held periodically. Prior to each prize draw, the probability of each gaming machine winning that draw is calculated.

In another form, the invention provides a  
5 gaming system comprising

at least one gaming machine;

control means connected to the gaming  
machine(s), the control means being adapted to conduct a  
series of prize draws in each of which each gaming  
10 machine has an opportunity to win a prize on a non-  
deterministic basis; and

means for determining the winning probability  
of each gaming machine at each prize draw,

characterised in that the probability of each  
15 gaming machine winning a prize draw is dependent on at  
least some of the amount wagered on that gaming machine  
during an elapsed period.

In yet another form, the invention provides a  
gaming machine having

20 means for effecting a prize draw to award a  
prize on a non-deterministic basis, and

means for determining the probability of the  
gaming machine winning the prize, .

characterised in that the probability of the  
25 gaming machine winning the prize is dependent on at least  
some of the amount wagered on the gaming machine during  
an elapsed period.

Preferably, the probability is related to the  
total wagered amount recorded during the elapsed period.

30 The elapsed period is typically a rolling or  
sliding period of time, preceding each prize draw.

Draws may be held at periodic intervals which  
are shorter than the sliding period of time. In that



case, the amount wagered during the period between draws is calculated on a *pro rata* basis from the recorded amount of wagers during the predetermined elapsed period.

5 The prize may suitably be a cash prize, such as a progressive jackpot.

In a further embodiment of the invention, if a gaming machine wins a prize draw, it is awarded a feature game to determine the actual prize or jackpot. All jackpot pools are suspended until the feature game is played.  
10

Advantageously, the probability of a gaming device winning the prize draw, and/or the relative probabilities of the gaming machines winning the prize draw, are displayed graphically.

15 The prize awarding system of this invention enables a jackpot or other prize to be awarded on a non-deterministic basis, yet in a fair manner, as the probability that a gaming machine will win the prize depends on the amount of recent betting activity on that gaming machine.  
20

In order that the invention may be more fully understood and put into effect, preferred embodiments thereof will now be described with reference to the accompanying drawings.

25 BRIEF DESCRIPTION OF THE DRAWINGS

Fig. 1 is a block diagram of a jackpot system for a network of gaming devices.

Fig. 2 is a flow chart for the method of jackpot pool calculation.

30 Fig. 3 is a flow chart for the method of determining a jackpot win according to one embodiment.

Fig. 4 is a flow chart for the method of calculating jackpot pool and determining jackpot win according to a second embodiment.

35 DETAILED DESCRIPTION OF PREFERRED EMBODIMENTS

In one embodiment, illustrated schematically in Fig. 1, a plurality of Electronic Gaming Devices (EGDs) 10 operating in a modern gaming environment are connected

to a communications network 11, typically running over RS485, Fibre Optic, Ethernet, or other suitable data transmission cable. The communications network 11 has an EGD monitoring device 12, such as a site controller or  
5 polling front-end processor. The EGD monitoring device will be referred to as the monitoring system. The monitoring system 12 collects financial and other information from the EGDs. This information is commonly referred to as "meters".

10 The monitoring system 12 contains a Special Prize Presentation Controller Task which in this embodiment, is a jackpot controller 13 capable of maintaining one or more jackpot pools. The jackpot controller 13 displays the current value of each jackpot  
15 pool on one or more jackpot displays 14. These displays may be remote from the EGDs, either connected to the communications network 11 or to the jackpot controller 13 directly.

20 The gaming system may optionally include an alternative or additional jackpot controller 13A with its associated display 6. The EGDs may also have local jackpot displays 15 which may be operated by the jackpot controller(s), via the communication network.

25 The jackpot controller 13 calculates and manages the jackpot pools from the information provided to it by the monitoring system 12. The only meter required by the jackpot controller from the monitoring system is the current value of the turnover meter of each EGD. The turnover meter is represented in local base  
30 currency units (e.g. cents). The turnover meter usually indicates the *accumulated* turnover, e.g. credits bet, since the EGD was commissioned. The jackpot controller calculates from the received turnover meter reading, the change in turnover since the last time the turnover meter  
35 was read. This is the primary figure used for all jackpot calculations.

For each jackpot, the jackpot controller maintains a prize pool. This prize pool is a calculated

pool, comprising (i) a starting value of the jackpot, and (ii) a proportion, equal to the contribution percentage, of the increased turnover of each EGD contributing to the pool since the last jackpot was won. For example a  
5 jackpot pool with a 3% contribution will increase by 3 cents for every dollar wagered on an EGD connected to the jackpot. This pool is normally the prize granted to the winning player when a jackpot is won.

10 In the jackpot system of this embodiment, the probability of an EGD winning the jackpot is dependent upon the turnover of that EGD over a predetermined elapsed period of time. This period of time is a sliding or rolling "window" of time prior to each jackpot draw.

15 Every change in turnover meter recorded for an EGD is stored by the jackpot controller with a timestamp. The timestamp indicates the time that the change in turnover meter was recorded. Each recorded change in turnover meter may contain the turnover from multiple game plays. It is possible that there may be no change  
20 in turnover meter since the last record, in which case a change in turnover meter of zero cents is recorded. Only turnover recorded within the sliding time window or "Record Period" is used for the purposes calculating the probability of a jackpot win.

25 For example, Table 1 shows the turnover information recorded for three EGDs for a Record Period equal to the immediately preceding 30-second period. The turnover meters of the EGDs are nominally read approximately once every 10 seconds. The current time for  
30 the purpose of the example is 10:29:20. Hence the relevant window of time or Record Period was that period between 10:28:50 and 10:29:20.

35 As shown in Table 1, EGD 1 had its change in turnover meter recorded approximately every 8 Seconds, EGD 2 approximately every 7 Seconds and EGD 3 approximately every 11 Seconds. This variation is due to operational variances across machines such as type, model, vintage, manufacturer and network characteristics.

Table 2 shows the changes in turnover meter recorded for the same three EGDs at 10:29:30, i.e. after a further 10 seconds have elapsed. The relevant window of time or Record Period is now that period between  
5 10:29:00 and 10:29:30.

During the further 10 second period, several recorded values aged to a point where they were greater than 30 seconds old, and were therefore discarded. For each EGD one new change in turnover was recorded. The  
10 discarded turnover values are shown in Table 3.

It can be seen from the tables that the rolling Record Period allows for variations in operational characteristics by collating all turnover changes during a sliding period. This allows all machines to have a  
15 fairer record of activity than individual change in turnover meter figures. Individual turnover figures per EGD may be recorded at varying frequencies. By running a sliding window any variation in operational characteristics can be normalized.

In this embodiment, the method of determining the winner of a jackpot employs a second time window, known as the Draw Period. The Draw Period is the duration between attempts at awarding the jackpot, or in other words, the duration between opportunities for an  
20 EGD to win the jackpot, known as jackpot "draws". To ensure that no turnover change is excluded from the draw processing, the Draw Period can equal, but not exceed the Record Period.

The probability that an EGD will win a jackpot draw depends on a calculated scaling factor. In this  
30 embodiment, the scaling factor is based on estimated turnover during the Draw Period which is calculated by taking, for each EGD, the total turnover in the Record Period, and dividing it by the number of Draw Periods per  
35 Record Period. (Because a division is involved, any fractional cent of the result is counted as one whole scaling unit). That is, based on actual turnover during the whole Record Period, an estimated or average turnover

is calculated for the Draw Period on a *pro rata* basis. If the turnover is in cents, then the Scaling Factor is the number of cents in the estimated turnover during the Draw Period.

5 For example, using the data from the EGDs above, if the Record Period is 30 Seconds, and the Draw Period is 10 Seconds, Table 4 shows the calculated Scaling Factor for each EGD for the two draw times given as examples above.

10 The Scaling Factor determines the probability than an EGD will win the jackpot at a draw time. Namely, each EGD has the same predetermined "base" probability of winning the jackpot, but this is multiplied by the Scaling Factor for that EGD for the relevant draw. Since  
15 an EGD can have a varying scaling factor, it also has a varying probability of winning a jackpot draw. This probability is given by the formula:

EGD Win Probability =

$$1 - ((1 - \text{Fixed Base Probability})^{\text{Scaling Factor}}).$$

20 Thus, if the base probability is, say, a 0.0003% chance, the probability of each EGD in Table 4 winning the Jackpot at each of the two draw times is shown in Table 5.

The jackpot draw for each EGD can be conducted  
25 by any suitable draw method which has the required overall probability. For example, a random number generator can be used for the draw. A fixed number range is defined, and divided into two separate sections, the winning band and the losing band. A random number is  
30 generated over the entire range; if it falls within the winning band the draw is won. If it falls outside the winning band into the losing band, the draw is lost. The winning band is a percentage of the entire number range, which is equal to the desired win probability.

35 Thus, if the win probability is 0.1400%, and the number range is, say, 0 to 4294967295, the winning band is all the numbers from 0 to 6012954. The losing band is then 6012955 to 4294967295. When calculating the

win band size, because division is involved, all results are rounded up to the next whole digit in the range. If the random number generated falls within the winning band and the attempt at awarding the prize succeeds.

5 Otherwise the attempt fails. Table 6 gives the varying win band sizes for the probabilities given in Table 5.

If an EGD wins a draw, the EGD is placed into a winning mode and the prize won is advertised on the displays 14, 15. The act of awarding a prize need not necessarily terminate the draw processing and it is possible for another EGD to be selected as a winner in its draw. If there are multiple winners, the prize pool is preferably paid to the first detected winner and all other winners are awarded the reset or starting value of the pool. Alternatively, the prize pool is apportioned between all the winners.

10 Table 7 shows the assumptions and configuration options of a typical high win rate, small prize Jackpot Pool.

20 Table 8 gives the operational characteristics of a jackpot so configured, operating as described by this embodiment.

For the embodiment having the parameters and operational characteristics specified in Table 8 and Table 9, a typical sequence of events for the jackpot would be as follows:

25 Referring to the flow chart of Fig. 2, the jackpot is started at its reset or starting value (\$50.00). Players bet credits on the EGDs, and contribute to the accumulated turnover on each EGD. A percentage of the change in turnover meters of all EGDs since the start of the jackpot is added to the jackpot pool such that after 2 hours of play, the Jackpot would be expected to be worth approximately \$75.00 (\$50.00 + \$25.00 from contributions). Any change in turnover meter for each EGD would be recorded as it is calculated in the sliding 30-second time window. All jackpot pool displays are updated with the new value reflecting added

contributions from EGDs in play. When the pool has been won, the prize is awarded to the winning EGD and the winning state of the EGD is cleared.

In parallel with calculating the current  
5 jackpot value, the Jackpot Controller 13 conducts jackpot  
draws. Referring to Fig. 3, a Draw Period window timer is  
initialized to produce 10-second timeouts, and is  
started. As each 10-second draw period elapses, the  
10 jackpot controller, starting from the first EGD, scans  
progressively through the EGDs calculating the Scaling  
Factor for each EGD from (i) change in turnover meter of  
the respective EGD in the Record Period, i.e. the last 30  
15 seconds and (ii) the number of Draw Periods per Record  
Period, i.e. 3. Each EGD has a jackpot draw. It is to  
be noted that the timing of the draws is independent of  
games played on the EGD. The Scaling Factor is used to  
determine each EGD's respective probability of winning  
the jackpot. If the jackpot is won by an EGD, the EGD is  
20 placed into a winning state. Each EGD is processed in  
this manner until all EGDs have been processed.

This process of looking for a winner occurs  
continuously (every Draw Period) and is independent of  
the accumulation of the Jackpot Pool. As time since the  
Jackpot start increases, due to the increasing number of  
25 attempts to win the prize, it becomes statistically more  
likely that the jackpot will be granted. When the  
jackpot is won, the prize to be paid is held at the  
current jackpot value, and a new jackpot prize is  
started. The Jackpot Controller suspends the winning EGD  
30 and the winning amount is advertised on the jackpot  
display. Once the winning value is verified, it is paid  
to the player of the winning EGD. Payment is preferably  
credited electronically directly to the EGD that won.  
After the jackpot is granted to a player, it is reset and  
35 continues from the starting value (\$50.00).

There are various alternative implementations  
that achieve the same or similar outcome as the preferred  
embodiment. For example, the draw could be conducted

with a fixed number of attempts, say 10,000 and all attempts occur every draw. The attempts are apportioned to the EGDs based on their relative turnovers over the Record Period.

5 Further, the probability of winning the jackpot may be based on only some of the amount wagered in the Record Period, such as the maximum bet on any one game in that period, or the amount wagered in the Record Period statistically conditioned to remove abnormally small or  
10 large bets.

The calculated probability of a jackpot win can be displayed on the EGD displays 15. These displays can include a graphical indicator that informs the player of the chance of winning the Jackpot, based on average  
15 turnover over the Record Period for each EGD. The EGD display may be a rumbling volcano. The higher turnover over time played on the EGD, the fierier the volcano becomes. These displays can be controlled by the jackpot controller so that the volcano erupts on the EGD that  
20 wins the prize. Further, a leader board can be shown on an external display 14, that lists the EGDs in order from highest probability of win to lowest. These displays are designed to enhance player appeal and to create atmosphere for the Linked jackpot Game.

25 In a second preferred embodiment, when an EGD wins a draw, the EGD is informed of the win and instructed to enter a second Screen Feature Game for the purpose of determining the Jackpot Prize to be awarded. At this time, all eligible Jackpot pool values on display  
30 are suspended, i.e. held at their current values and no longer visibly increment. Preferably, the display then enters a special "About to win a Jackpot Mode" to heighten excitement. Once the player has completed the second screen feature and the jackpot prize has been  
35 determined, the winning EGD informs the Jackpot Controller of the claimed prize. The Jackpot Controller then updates all jackpot pools other than the winning jackpot to their current value (using a percentage of all



turnover accumulated since the jackpot values were held).

The player is awarded the held value of the winning jackpot and the winning jackpot is reset to the starting value, plus a percentage of any turnover accumulated while the jackpot values were held. Preferably, the Jackpot Display will show a Jackpot Win sequence.

The jackpot win does not terminate the draw processing and it is possible for another EGD to win. Should there be multiple winners, each EGD will be placed into the second Screen Feature to determine the prize. Once the prize is determined, the EGD wins that prize. If multiple EGDs claim the same prize, the first EGD to claim will receive the full jackpot amount on display. The other EGDs that claim the same prize will win the jackpot reset value.

In a variation of this embodiment, multiple EGDs claiming the same prize simultaneously may share the prize.

A typical sequence of events for this second embodiment is shown in Fig. 4. The jackpots in a group are all reset to their starting values. Players bet credits on the EGDs, and contribute to the accumulated turnover on each EGD. A percentage of the change in turnover since the start of the jackpot is added to the jackpot pool. The change in turnover is recorded in the sliding 30-second time window. All relevant jackpot displays are updated with the new values for each pool. If any EGD wins the pool, the pools are suspended at their current values. The winning EGD is instructed to run a second screen feature game for the purposes of determining the prize to pay. The EGD runs its second screen game as instructed. Once the EGD reports the outcome of the second Screen Game, the claimed prize is paid to the winning EGD. The winning status of the EGD is cleared. The claimed pool is reset to its starting value and all jackpot pools are released and allowed to update based on turnover. Any turnover contributed while the pools were held is added into the pools after they

are released.

Various modifications can be made to the foregoing without departing from the scope of the invention. For example, each EGD can maintain its own  
5 sliding Record Period and Draw Period, independent of any other EGD in the Jackpot Pool. When an EGD determines that it is going to win, it informs the controller to suspend all jackpots at their current values and presents the second screen feature game to the  
10 player automatically. Once the second screen feature game is complete and a prize has been determined, the EGD informs the Jackpot Controller of the determination. The Jackpot Controller then pays the claimed prize to the player and resets it. It also allows the other jackpot  
15 pools to increment again, and adds any contributions from turnover that occurred while the pool was suspended.

In a system where the Jackpot Pools may not be suspended due to limitations in the communications network, the second Screen Feature Game can be equipped  
20 with a timeout that forces a determination should the player not play within a reasonable time frame. This prevents one player effectively robbing some or all of the subsequent jackpot prize from another player by excessively delaying the claim on the prize pool.

The above described embodiments of a prize awarding system have several advantages over the prior art systems, including

- Each eligible player or gaming machine has the opportunity of winning a prize, with the probability of  
30 a win being dependent upon the amount of betting activity on that machine over a recent period, and not just the last game. This provides a fairer outcome as machines with a higher average turnover during that period have a higher win probability than machines with  
35 a lower average turnover during the same period even though the latter machines may have had a higher wager on the last game.
- The trigger for a draw is not a function of individual

- games played on a gaming machine. Rather it is a function of time. Therefore, the prize awarding system may be applied to existing EGDs of differing base denomination, manufacturer or game type without the need for specialised software support from the EGDs.
- 5 The system can also be operated over existing communication networks and with centralised jackpot systems, including those with high poll latency timings.
- 10 ▪ Since the prize awarding is non-deterministic, the prizes can be included in the "return to player percentage" of a gaming system, effectively resulting in higher profitability for the operator of the gaming devices.
- 15 ▪ Prize awarding parameters may be changed by the gaming device operator at any time without any alterations to the hardware, firmware or internal parameters of any of the associated EGDs.
- 20 ▪ If the awarding of the prize involves a feature game, a fairer outcome is obtained by ensuring that the value of all prize pools is suspended until the completion of the feature game. This prevents players from gaining a financial advantage over subsequent players by delaying the playing of the feature game.
- 25

Table 1 : Recorded Turnover for 30 Seconds

EGD	Time of Read	Change in Turnover
1	10:29:20	\$4.35
	10:29:12	\$5.15
	10:29:04	\$3.45
	10:28:58	\$1.05
	<b>TOTAL</b>	\$14.00
2	10:29:18	\$0.36
	10:29:11	\$0.59
	10:29:04	\$0.47
	10:28:58	\$0.11
	10:28:51	\$0.73
<b>TOTAL</b>	\$2.26	
3	10:29:19	\$1.10
	10:29:08	\$0.90
	10:28:57	\$1.50
	<b>TOTAL</b>	\$3.50

Table 2 : Turnover Recorded after a Further 10 Seconds

EGD	Time of Read	Change in Turnover
1	10:29:28	\$2.15
	10:29:20	\$4.35
	10:29:12	\$5.15
	10:29:04	\$3.45
	<b>TOTAL</b>	\$15.10
2	10:29:25	\$0.94
	10:29:18	\$0.36
	10:29:11	\$0.59
	10:29:04	\$0.47
	<b>TOTAL</b>	\$2.36
3	10:29:30	\$2.40
	10:29:19	\$1.10
	10:29:08	\$0.90
	<b>TOTAL</b>	\$4.40

Table 3 : Discarded Turnover &gt; 30 Seconds Old

EGD	Time of Read	Change in Turnover
1	10:28:58	\$1.05
2	10:28:58	\$0.11
	10:28:51	\$0.73
3	10:28:57	\$1.50

Table 4 : Example Scaling Factor Calculations

Draw Time	EGD#	Total Turnover in Record Period	Draws/Record Period	Scaling Factor
10:29:20	1	\$14.00	3	467
	2	\$2.26	3	76
	3	\$3.50	3	117
10:29:30	1	\$15.10	3	504
	2	\$2.36	3	79
	3	\$4.40	3	147

Table 5 : Variable Probability of Win per Draw per EGD

Draw Time	EGD#	Scaling Factor	Fixed Base Probability	Variable Win Probability
10:29:20	1	467	0.0003%	0.1400%
	2	76	0.0003%	0.0228%
	3	117	0.0003%	0.0351%
10:29:30	1	504	0.0003%	0.1511%
	2	79	0.0003%	0.0237%
	3	147	0.0003%	0.0441%

**Table 6 : Win Band Size for Variable Probabilities with a maximum range of 0 - 4294967295**

Draw Time	EGD#	Variable Win Probability	Win Band Size
10:29:20	1	0.1400%	0 - 6012954
	2	0.0228%	0 - 979252
	3	0.0351%	0 - 1507533
10:29:30	1	0.1511%	0 - 6489694
	2	0.0237%	0 - 1017907
	3	0.0441%	0 - 1894080

**Table 7 : Assumptions and Desired Configuration of a Jackpot Pool**

No of EGDs	10
Average Daily Turnover per EGD	\$1500.00
Hours in a Trading Day	18
Reset Value of the Prize	\$50.00
Desired Maximum Value of the Prize	\$150.00
Average Increase to RTP% of the connected EGDs	3%
Turnover Sliding Window	30 Seconds
Draw Time	10 Seconds

Table 8 : Operating Characteristics of this Embodiment

Average Winning Value	\$100.00
Average Duration between wins	4 Hours
Win Probability	0.0003%
Pool Increment Rate	1.5%
Minimum of the Winning band for 0.0003% prob.	0
Maximum of the Winning band for 0.0003% prob.	12884
Minimum of the Failing band for 0.0003% prob.	12885
Maximum of the Failing band for 0.0003% prob.	4294967295



## THE CLAIMS DEFINING THE INVENTION ARE AS FOLLOWS:

1. A method of awarding a prize in a gaming system comprising at least one gaming machine, characterised in that the probability of each gaming machine winning the prize is dependent upon at least some of the amount wagered on that gaming machine during an elapsed period.
2. A method as claimed in claim 1 wherein the probability is related to the total wagered amount recorded during the elapsed period.
3. A method as claimed in claim 1 wherein the probability is related to the maximum amount wagered on a game during the elapsed period.
4. A method as claimed in any preceding claim, wherein the elapsed period is a rolling or sliding period of time.
5. A method as claimed in any preceding claim, including the step of conducting a series of prize draws and, prior to each prize draw, calculating the probability of each gaming machine winning that draw.
6. A method as claimed in claim 5, wherein the elapsed period is a predetermined period preceding each draw, further comprising the steps of recording amounts wagered on each gaming machine and calculating the probability of each gaming machine winning that draw from amount(s) recorded during the predetermined period.
7. A method as claimed in claim 6, wherein the draws are conducted at periodic intervals of time, the period between draws being no greater than the predetermined period.



8. A method as claimed in claim 6 or 7, wherein the winning probability for each gaming machine is calculated from the estimated amount wagered on that gaming machine during the period since the last draw, the  
5 estimated amount being calculated on a *pro rata* basis from the recorded amount of wagers during the predetermined period.

9. A method as claimed in any one of claims 5 to 8, further comprising the step of awarding to a draw  
10 winning gaming machine a further game to determine the actual prize won.

10. A method as claimed in claim 9, wherein the time allowed for playing the further game is limited to a predetermined period.

15 11. A method as claimed in claim 9 or 10, wherein the prize is a jackpot or one of a plurality of jackpots, the method further comprising the step of suspending the jackpot(s) until the determination of the further game.

12. A method as claimed in any preceding claim,  
20 wherein the prize is a jackpot pool.

13. A method as claimed in claim 12, wherein the jackpot pool comprises an initial amount and a proportion of the amount wagered on the gaming machine(s) since the jackpot pool was reset.

25 14. A method as claimed in any preceding claim further comprising the step of displaying a graphical representation of the probability of the gaming machine(s) winning the prize.

15. A method as claimed in claim 14 wherein the gaming system includes a plurality of gaming machines, and the probabilities are displayed in relative format.

16. A method as claimed in any preceding claim,  
5 wherein each gaming machine is an electronic gaming device.

17. A gaming system comprising  
at least one gaming machine;  
control means connected to the gaming  
10 machine(s), the control means being adapted to conduct a series of prize draws in each of which each gaming machine has an opportunity to win a prize on a non-deterministic basis; and

means for determining the winning probability  
15 of each gaming machine at each prize draw,

characterised in that the probability of each gaming machine winning a prize draw is dependent on at least some of the amount wagered on that gaming machine during an elapsed period.

20 18. A gaming system as claimed in claim 17 wherein the probability is related to the total wagered amount recorded during the elapsed period.

19. A gaming system as claimed in claim 18 or 19,  
wherein the elapsed period is a rolling or sliding  
25 predetermined period of time prior to each prize draw.

20. A gaming system as claimed in claim 19, wherein the control means includes means for recording during the predetermined period amounts wagered on each gaming machine.

21. A gaming system as claimed in any one of claims 18 to 20, wherein the control means includes a jackpot controller, and the prize is a progressive linked jackpot.

5 22. A gaming system as claimed in any one of claims 18 to 21, wherein each gaming machine is an electronic gaming device.

23. A gaming system as claimed in any one of claims 18 to 22, having display means to display a graphical  
10 representation of the probability of each gaming machine of winning the prize draw.

24. A gaming machine having  
means for effecting a prize draw to award a  
prize on a non-deterministic basis, and

15 means for determining the probability of the gaming machine winning the prize,

characterised in that the probability of the gaming machine winning the prize is dependent on at least some of the amount wagered on the gaming machine during  
20 an elapsed period.

25. A gaming machine as claimed in claim 24, wherein the probability is related to the total wagered amount recorded during the elapsed period.

26. A gaming machine as claimed in claim 24 or 25  
25 wherein the elapsed period is a sliding or rolling predetermined period prior to the prize draw.

27. A gaming machine as claimed in claim 26, further comprising means for recording during the predetermined record period amounts wagered on the gaming  
30 machine.

28. A gaming machine as claimed in claim 24 to 27, having display means to present a graphical representation of the probability of winning the prize draw.

5 29. A method of awarding a prize substantially as hereinbefore described with reference to the drawings.

30. A gaming system substantially as hereinbefore described with reference to the drawings.

10 DATED this Ninth day of August 1999

NEURIZON PTY LTD

By their patent attorneys

Cullen & Co.

5  
5  
5  
5  
5

9 00 00 43450

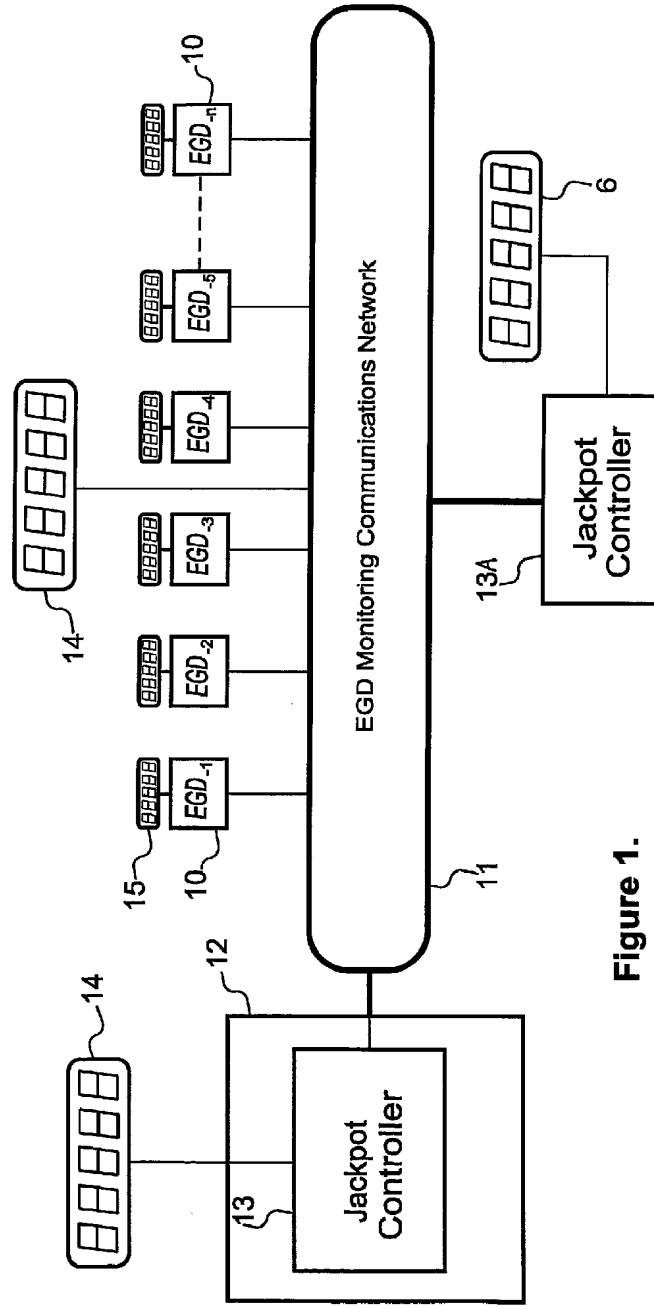
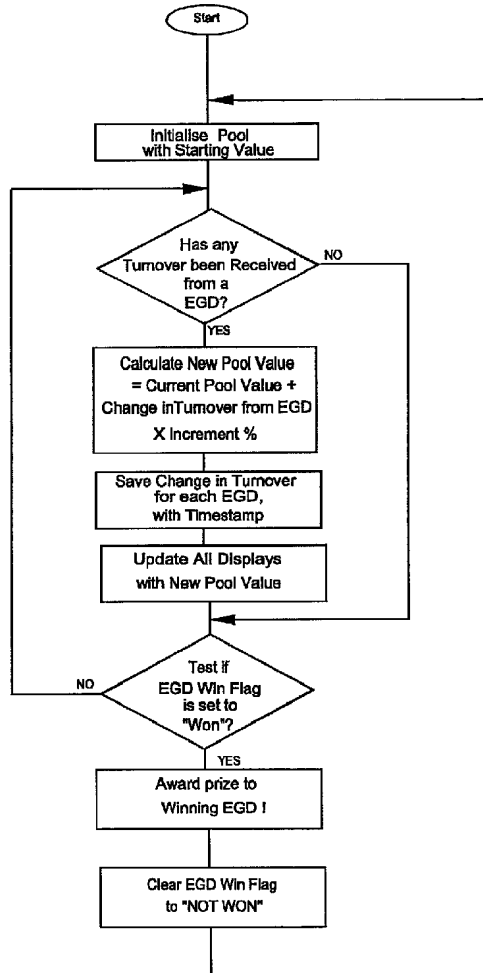


Figure 1.

Figure 2.



0  
0  
0  
0  
0

Figure 3.

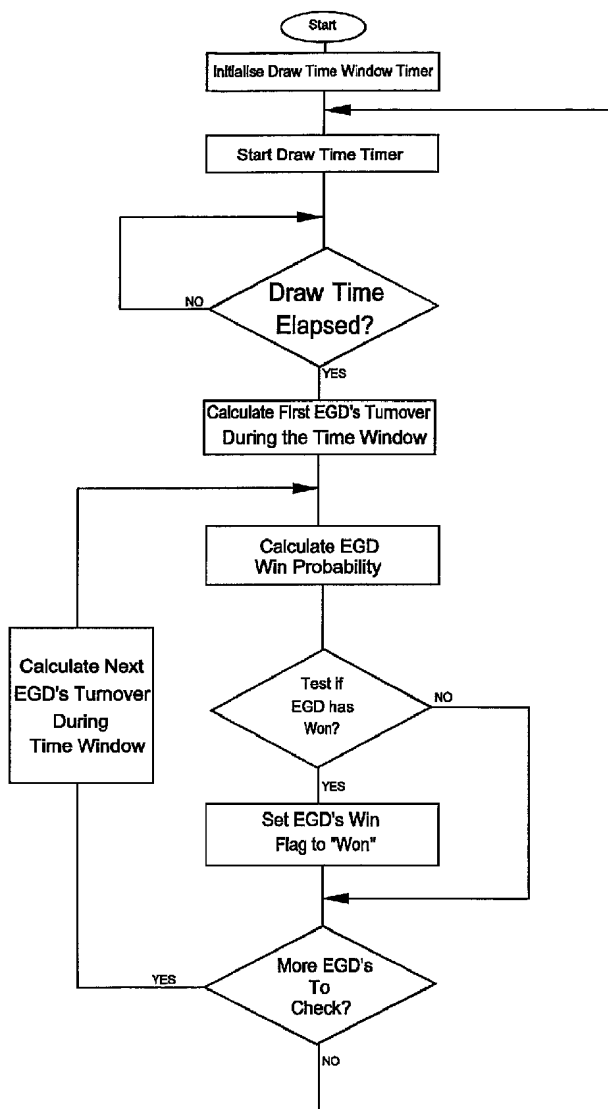


Figure 4.

